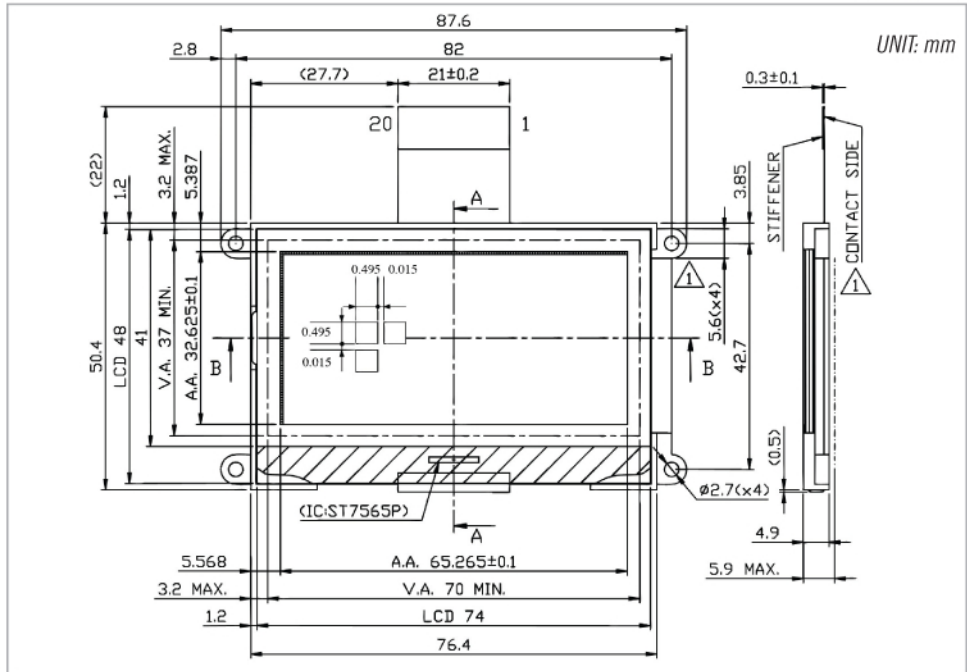
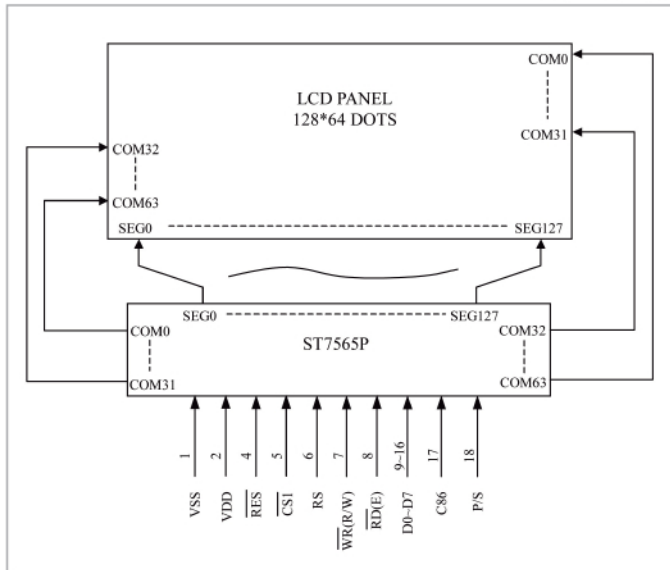


DIMENSIONS



BLOCK DIAGRAM



PIN CONNECTION

#F1	
PIN NO.	SYMBOL
1	VSS
2	VDD
3	N.C.
4	RESET
5	CS1
6	RS
7	WR, (R/W)
8	RD (E)
9	D0
10	D1
11	D2
12	D3
13	D4
14	D5
15	D6 (SCL)
16	D7 (SD)
17	C86
18	P/S
#F1 BACKLIGHT	
PIN NO.	LED
19	LED+
20	LED-