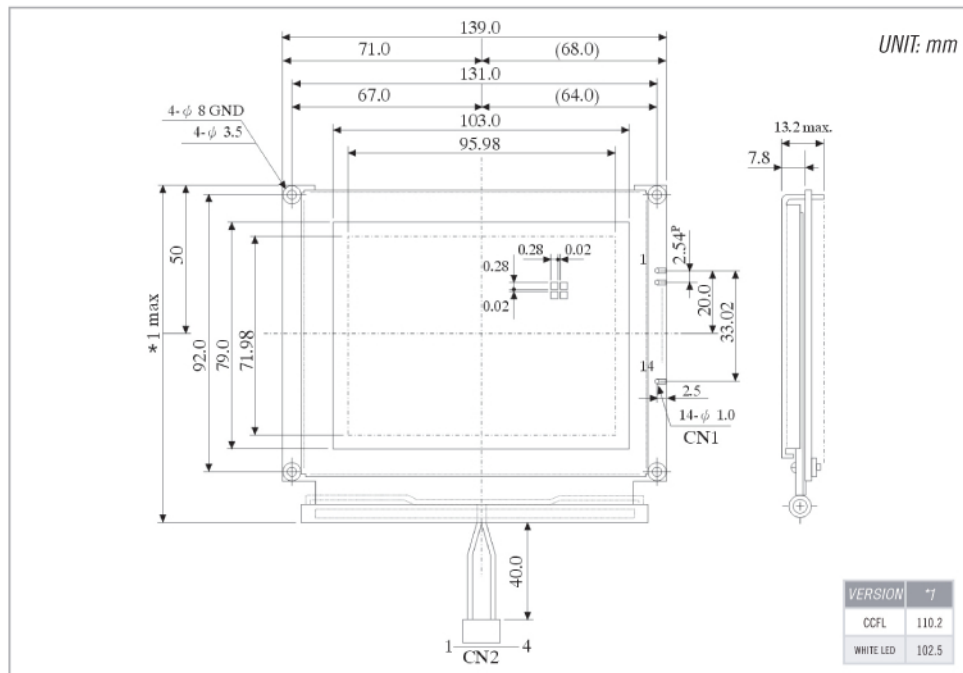
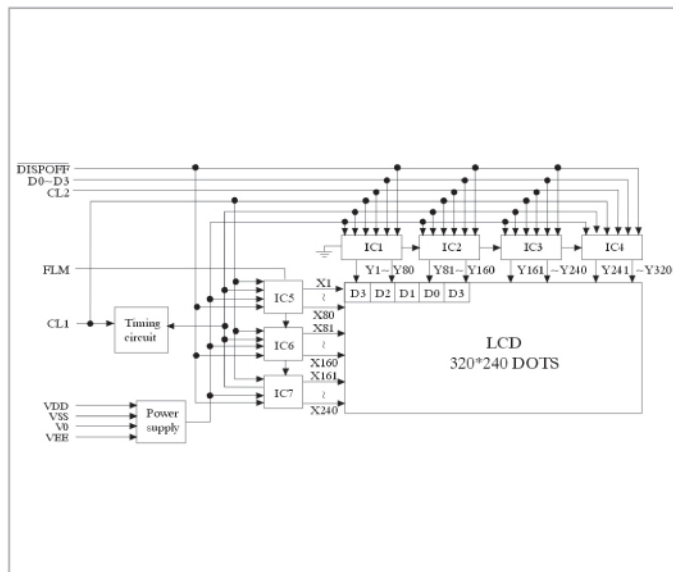


DIMENSIONS



BLOCK DIAGRAM

PIN CONNECTION



IF1	
PIN NO.	SYMBOL
1	FLM
2	CL1
3	CL2
4	M
5	VO
6	VDD
7	VSS
8	VEE
9	D0
10	D1
11	D2
12	D3
13	DISPLAYOFF

IF1 BACKLIGHT		
PIN NO.	CCFL	LED
14	N.C.	VLED+

IF2 BACKLIGHT	
PIN NO.	CCFL
1	VCFL
2-3	N.C.
4	VCFL