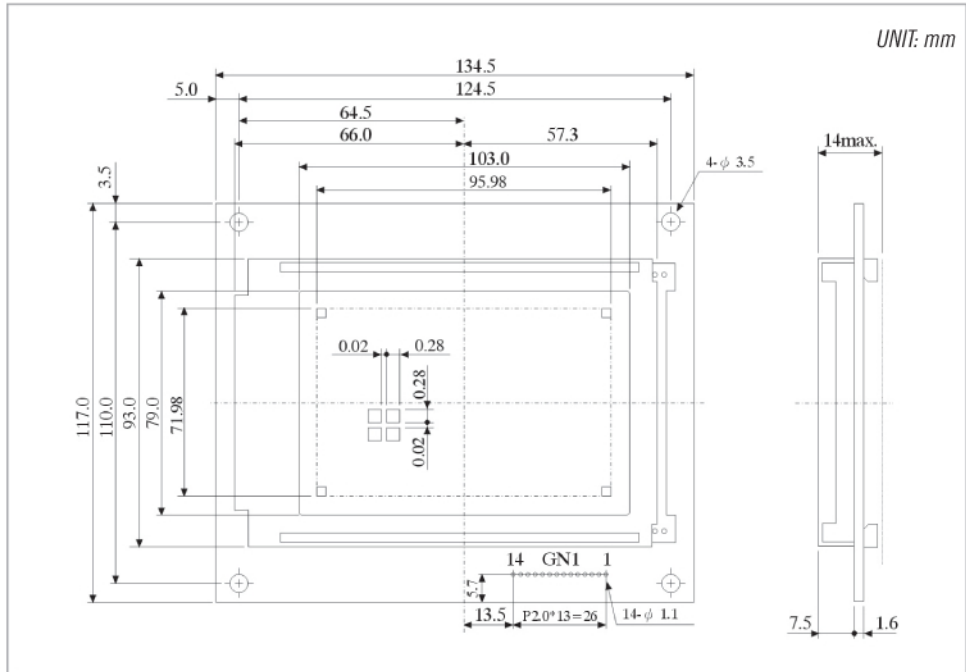
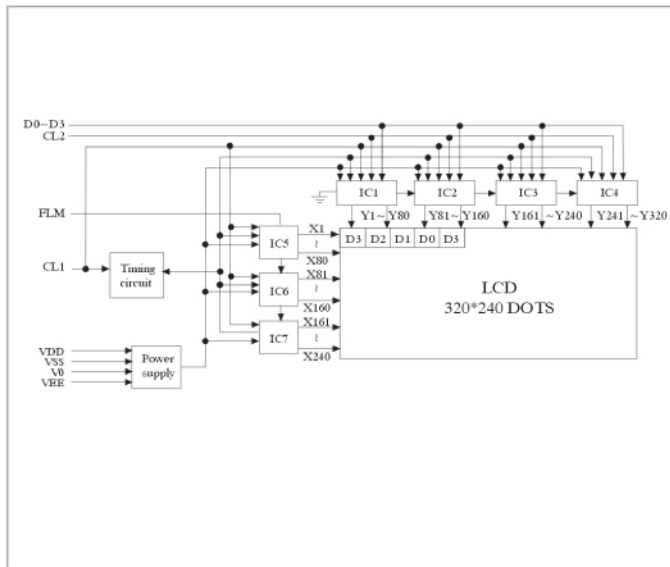


DIMENSIONS



BLOCK DIAGRAM



PIN CONNECTION

IF1	
PIN NO.	SYMBOL
1	V0
2	VEE
3	D3
4	D2
5	D1
6	D0
7	VSS
8	VDD
9	CL2
10	CL1
11	FLM
IF1 BACKLIGHT	
PIN NO.	LED
12	VLED-
13	VLED+
14	N.C.