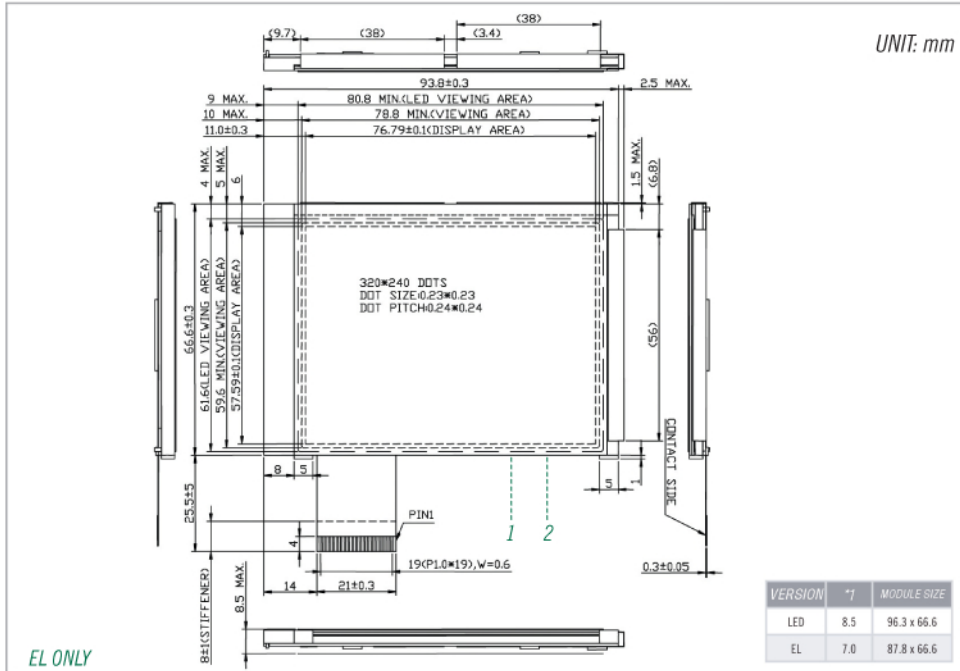


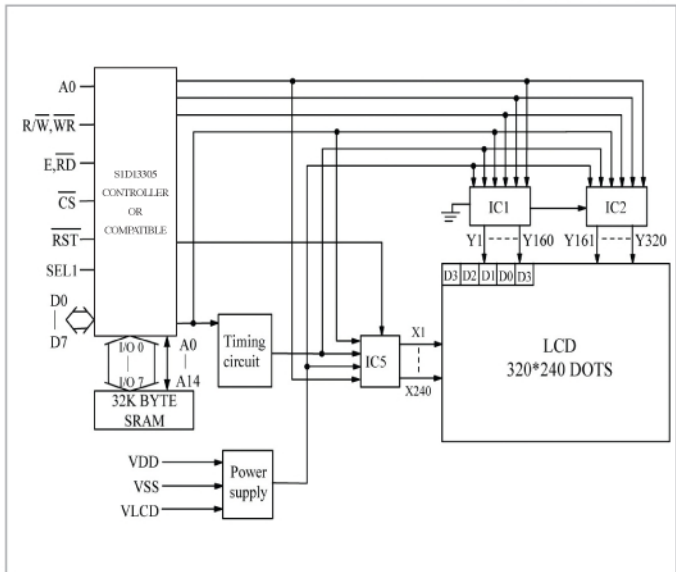
DIMENSIONS

UNIT: mm



BLOCK DIAGRAM

PIN CONNECTION



IF1	
PIN NO.	SYMBOL
1	VSS
2	VDD
3	N.C
4	A0
5	WR, R/W
6	RD, E
7-14	D0-D7
15	CS
16	RST
17	VLCD
18	SEL1
IF1 BACKLIGHT	
PIN NO.	SYMBOL
19	VLED+
20	VLED-
IF2 BACKLIGHT	
PIN NO.	SYMBOL
1	VEL
2	VSS

Not to scale