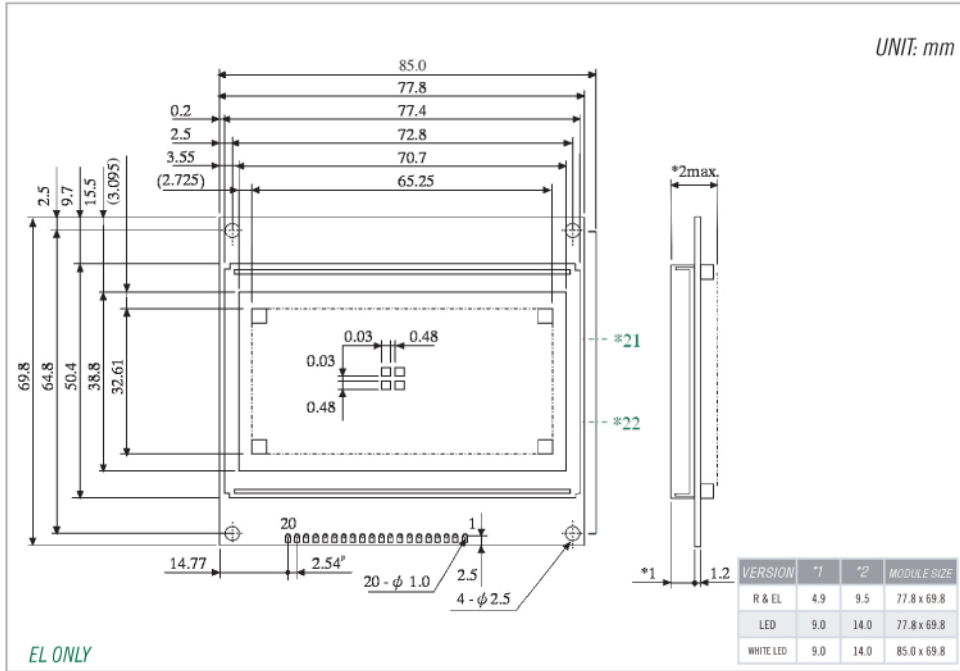
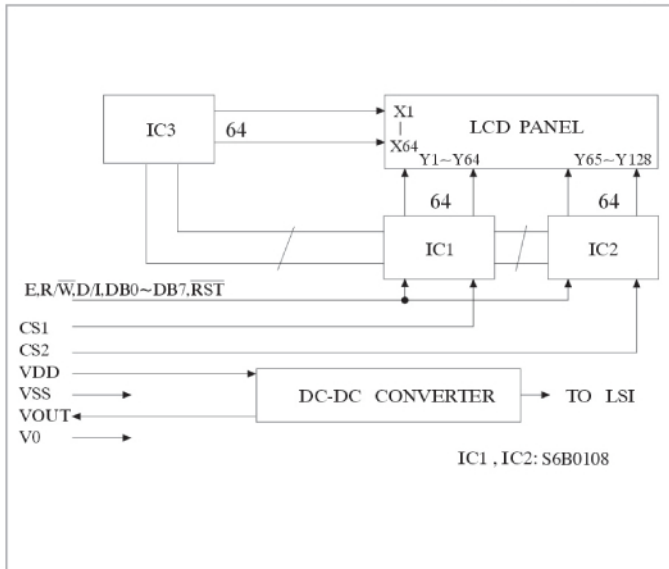


DIMENSIONS



BLOCK DIAGRAM



PIN CONNECTION

IF1		
PIN NO.	SYMBOL	
1	VSS	
2	VDD	
3	V0	
4	D/I	
5	R/W	
6	E	
7	DB0~DB7	
8~9	CS1	
10~11	CS2	
12~17	RESET	
18	VOUT	
IF1 BACKLIGHT		
PIN NO.	EL	LED
19	N.C.	VLED+
20	N.C.	VLED-
21	VEL	N.C.
22	VEL	N.C.

Not to scale