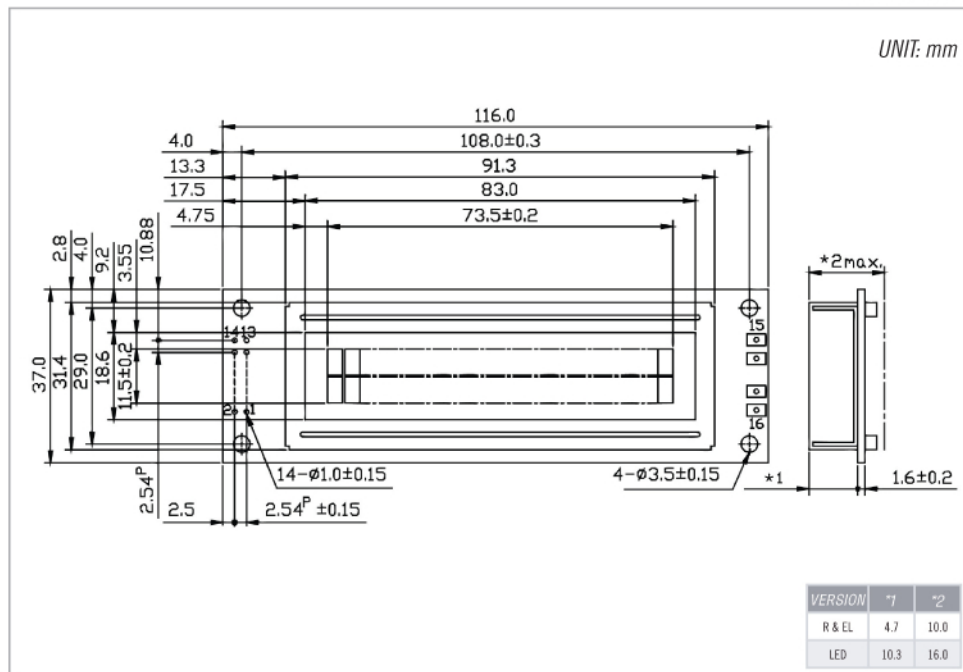
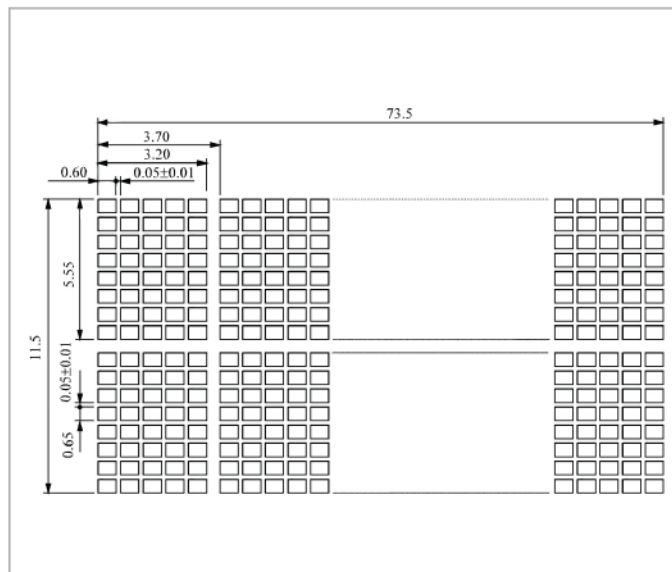


DIMENSIONS



DISPLAY PATTERN



PIN CONNECTION

IF1		
PIN NO.	SYMBOL	
1	VSS	
2	VDD	
3	VO	
4	RS	
5	R/W	
6	E	
7	DB0	
8	DB1	
9	DB2	
10	DB3	
11	DB4	
12	DB5	
13	DB6	
14	DB7	
IF1 BACKLIGHT		
PIN NO.	EL	LED
15	VEL	VLED+
16	VEL	VLED-