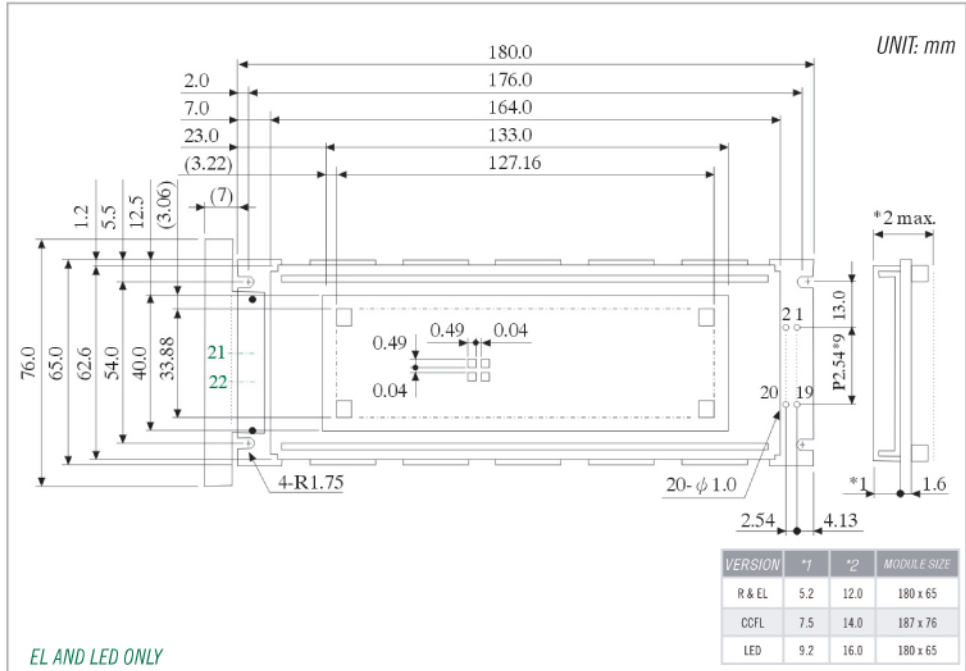
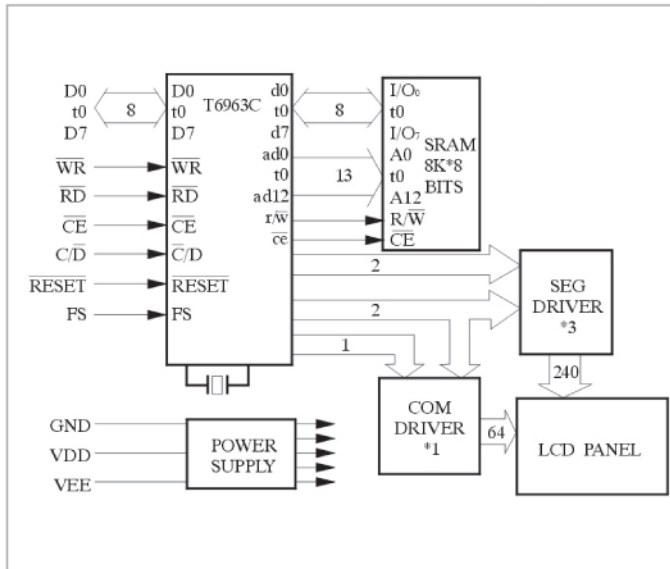


DIMENSIONS



BLOCK DIAGRAM

PIN CONNECTION



IF1	
PIN NO.	SYMBOL
1	FGND
2	GND
3	VDD
4	VEE
5	WR
6	RD
7	CE
8	C/D
9	N.C.
10	RESET
11-18	D0-D7
19	FS
20	N.C.

IF1 BACKLIGHT		
PIN NO.	EL	LED
21	VEL	VLED+
22	VEL	VLED-

IF2 BACKLIGHT	
PIN NO.	CCFL
1	VCFL
2-3	N.C.
4	VCFL

Not to scale