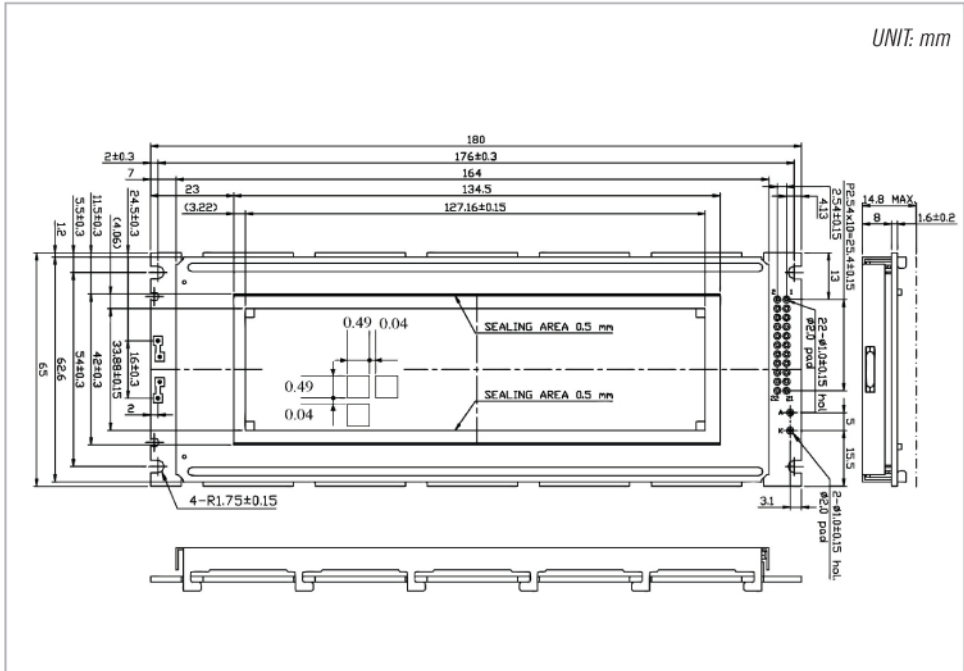


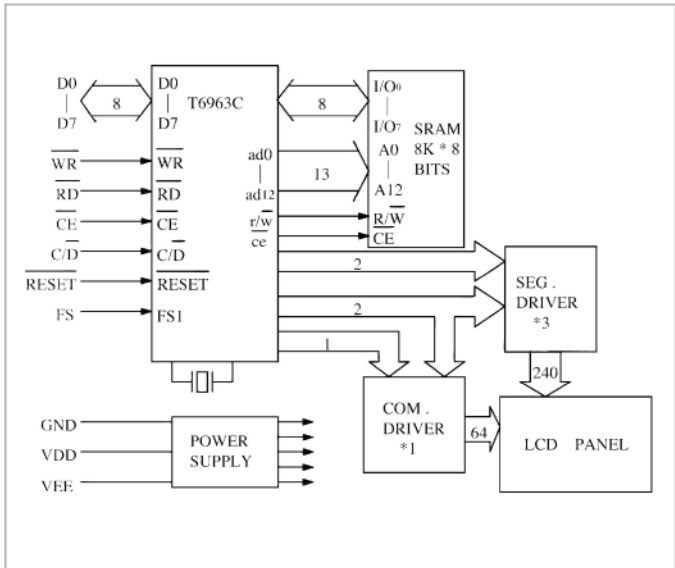
DIMENSIONS

UNIT: mm



BLOCK DIAGRAM

PIN CONNECTION



IF1	
PIN NO.	SYMBOL
1	FGND
2	GND
3	VDD
4	VEE
5	WR
6	RD
7	CE
8	C/D
9	N.C.
10	RESET
11-18	D0-D7
18	FS
20	N.C.
IF1 BACKLIGHT	
PIN NO.	LED
21	VLED+
22	VLED-
A	VLED+
K	VLED-

Not to scale