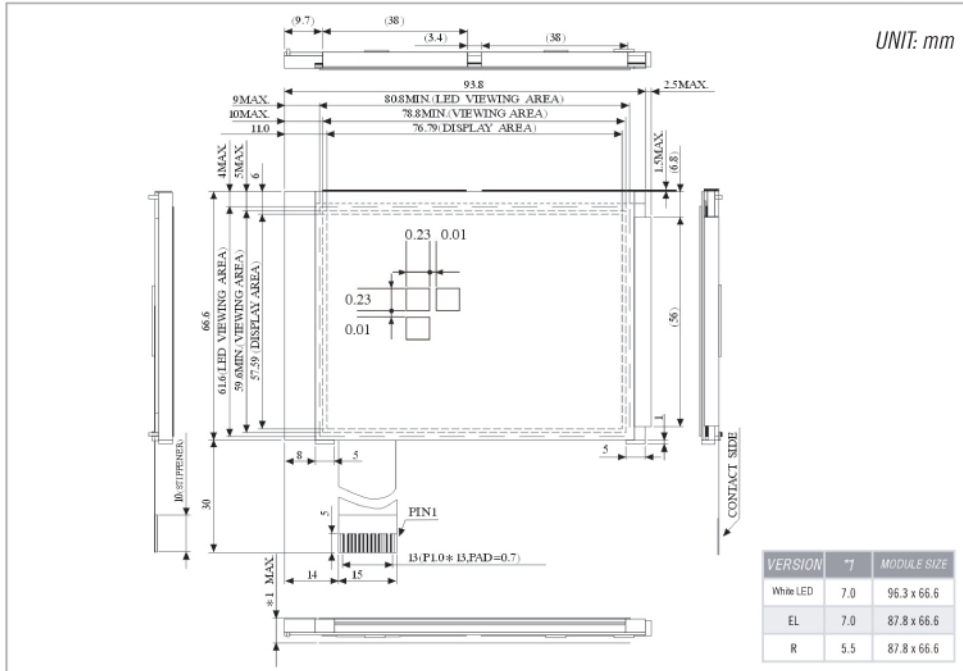
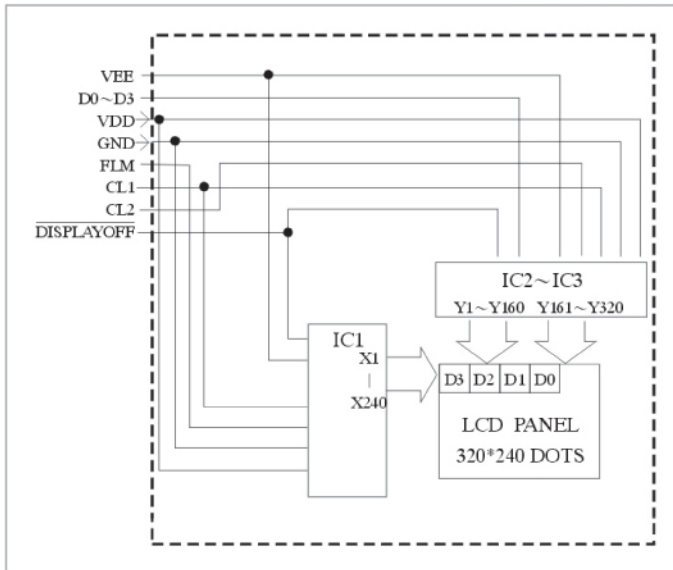


UNIT: mm



BLOCK DIAGRAM

PIN CONNECTION



IF1		
PIN NO.	SYMBOL	
1	VDD	
2	VSS	
3	VEE	
4	FLM	
5	N.C.	
6	CL1	
7	CL2	
8	D0	
9	D1	
10	D2	
11	D3	
12	DISPLAYOFF	
IF1 BACKLIGHT		
PIN NO.	EL	LED
13	EL_ON	VLED+
14	N.C.	VLED-